

Assembly Instruction

Greenpipe 1Base

Designed for anchoring EV charging stations in the ground, primarily in outdoor public environments.



! This installation manual serve as a guideline and works in conjunction with any local building codes. In case of conflict, the local building codes take precedence over these instructions.

- The foundation is equipped with 4 x 110 mm (4 inch) cable conduit inlets positioned at 90-degree angles from each other, allowing easy entry for multiple cables. Any unused entry holes should be covered using the provided plastic conduit covers. If additional holes are needed, up to 50 mm holes can be drilled with a hole saw between the ribs of the base.



- The foundation should be placed in a cavity large enough to accommodate the excavated ground materials, which can be compacted both underneath and on the sides of the foundation. Ensuring the materials are thoroughly packed to fill the foundation compartments. As a result the installation will be stable.
- Recommended minimum cavity dimensions are 800 x 800 x 800 mm, depending on the ground compaction/vibration used (Please refer to the foundation specifications later in this manual).



- It is also recommended that the surrounding materials are self-draining, such as mixed stone gravel or macadam with compacting properties.
- The top of the foundation should be leveled with the final ground surface, allowing pedestrians and lighter traffic to pass over it without posing a tripping or driving hazard, provided the foundation is properly installed.

Height. (cm)	62
Width. (cm)	40
Length. (cm)	40
Weight per unit) (Kg)	19 (ink. lid 3,5 kg)
Quantity. (Quantity/ppl)	24
Insertion, extra height. (cm)	20
Savings in oil & Co2-eq	44 l/29 kg

Greenpipe

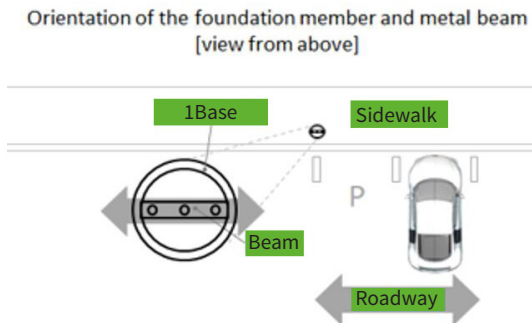
+46 470-120 10 Greenpipegroup.com

Orientation and installation

Greenpipe 1Base

Suggested Orientation of Attaching Beam:

The recommended orientation of the attaching beam inside the foundation is illustrated in the image below.



i

Customized Adapter Option:

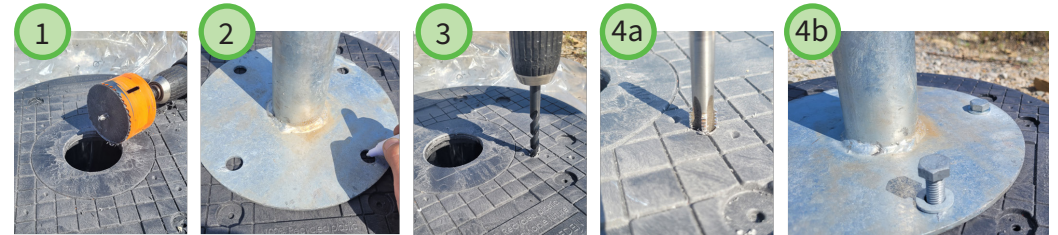
If desired, Greenpipe can offer a customized adapter featuring threaded holes that match your charging post. This solution simplifies the on-site installation process, requiring only the fastening of the pole.



Adaptor Installation with Anchoring Points:

For adaptors with anchoring points between CC100-200 mm, they can be directly fastened to the universal plastic adapter. To prepare the universal adapter, follow these steps:

- 1 Utilize a hole saw to create a central hole for your cable.
- 2 Measure the position of the anchoring points.
- 3 Drill holes according to the measurements.
- 4 Secure the charging pole by using either of the two options demonstrated in the installation video:
 - a. Using a run-through bolt secured with a nut (option A in the installation video).
 - b. Tapping the hole and screwing the bolt directly into the adapter (option B in the installation video).



Greenpipe

+46 470-120 10 Greenpipegroup.com

Attaching the adapter to 1Base

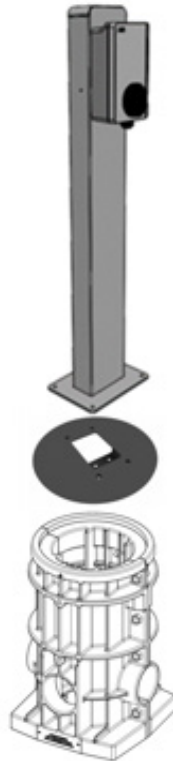
Greenpipe 1Base

Attaching the Universal Adapter:

The universal adapter should be secured using the provided screws after pre-drilling with a 5mm drill.

i

The picture serve as conceptual drawing. The adaptor and EV charging station dimensions may vary depending on station manufacturer.



i

Before attaching the station-specific adapter:

Ensure that the foundation rim is free from any small gravel that could cause the adapter to shift after installation



Attaching the Metal Adapter for Larger Installations:

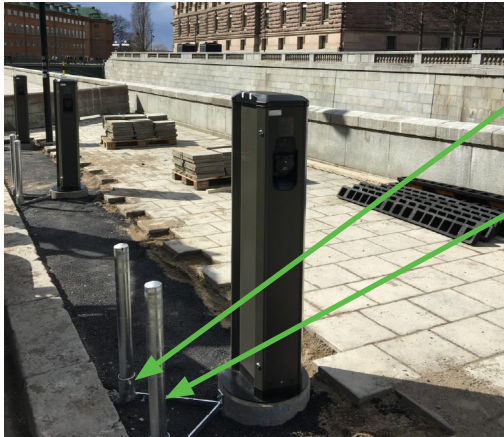
For installations with larger anchoring points (greater than CC200 mm), the metal adapter is attached using the supplied M12x90 mm bolts (1-3 pieces) through the adapter's bracket into the metal beam inside the foundation. Ensure the maximum torque applied to the bolt is 18 Nm. Exceeding this torque limit may cause the bracket to deform, affecting the patented functionality designed to protect the foundation's position in the ground in the event of a vehicle impact on the charging station.

Greenpipe

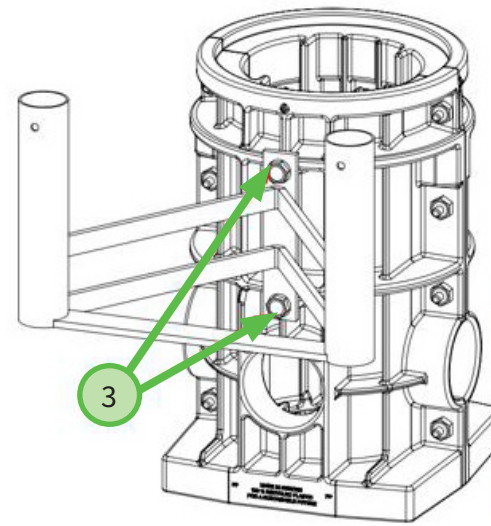
+46 470-120 10 Greenpipegroup.com

Integrated crash protection

Greenpipe 1Base



If optional, the integrated 1Base crash protections are a part of the installation. These shall be installed so the pervading screws (1) of the bollards are just above ground level. This to ensure easy switch of damaged poles (2) in case of any vehicle crashing into it. 1Base has pre-drilled holes used as attachment points for the crash protection(3).



i

- Installation video available at: <https://youtu.be/JfaAreTEuDk>
- Find more information about 1Base at: <https://greenpipegroup.com/products/bases/greenpipe-1base/>



Greenpipe

+46 470-120 10 [Greenpipegroup.com](https://greenpipegroup.com)